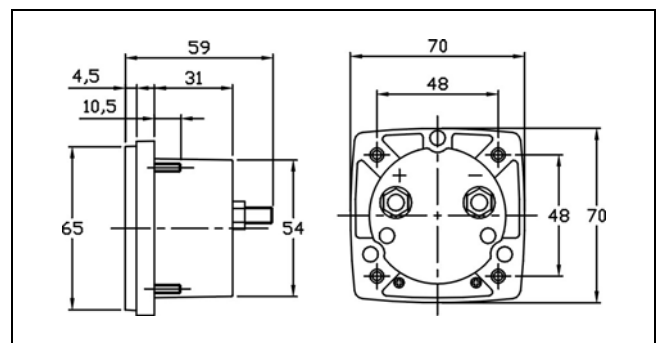
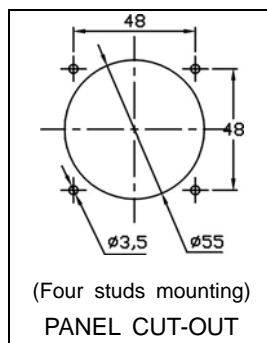
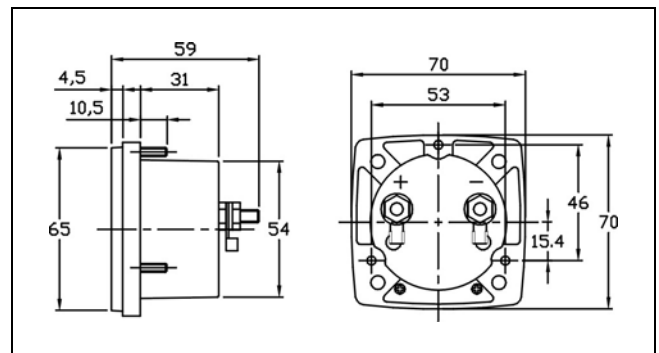
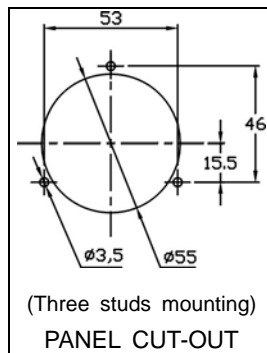
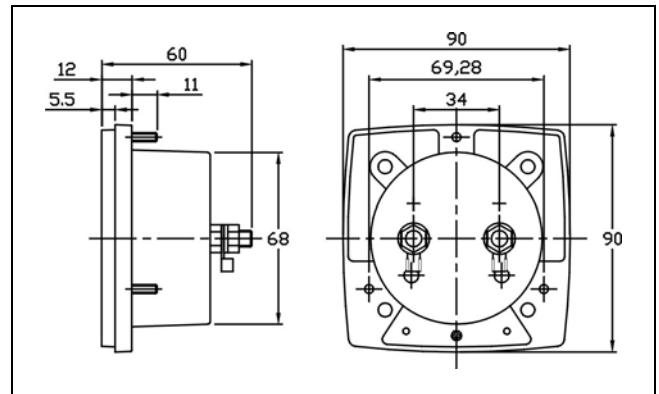
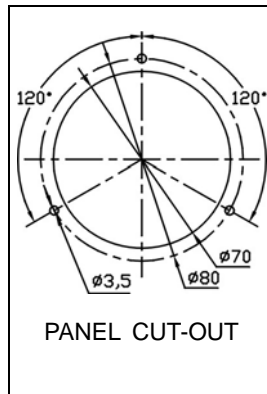




STANDARD

F Series



- **Case And Composition :** Acrylic resin front and bakelite case.
Three stud mounting.
- **Accuracy :** AC class 2.0
DC class 2.0
Rectifier class 2.0
- **Color :** Black case and white scale plate.
- **Pointer :** Sword type color in black.

Measuring Ranges :

Moving Coil Type

Moving Iron Type

Rectifier Type

DC uA	DC mA	DC A	DC mV	DC V
50	1 200	1	50	3 200
100	2 250	1.5	60	5 300
150	5 300	10	100	10 500
200	10 500	20	500	20 600
250	20 800	30		30
300	50			50
500	100			100
800	150			150

AC mA	AC A	AC V
50	1	150
100	5	250
150	10	300
200	15	500
250	20	
300	30	
500	50	
800		

AC V
30
50
100
150
200
300
500

Hz Meter :

- **Measuring Ranges :** 45-65Hz, 45-55Hz, 55-65Hz
- **Rated Voltage :** 110V, 220V
- **Accuracy :** Class 2.0
- **Consumption :** Max.15 mA
- **Test Voltage :** 2kV. 50-60Hz